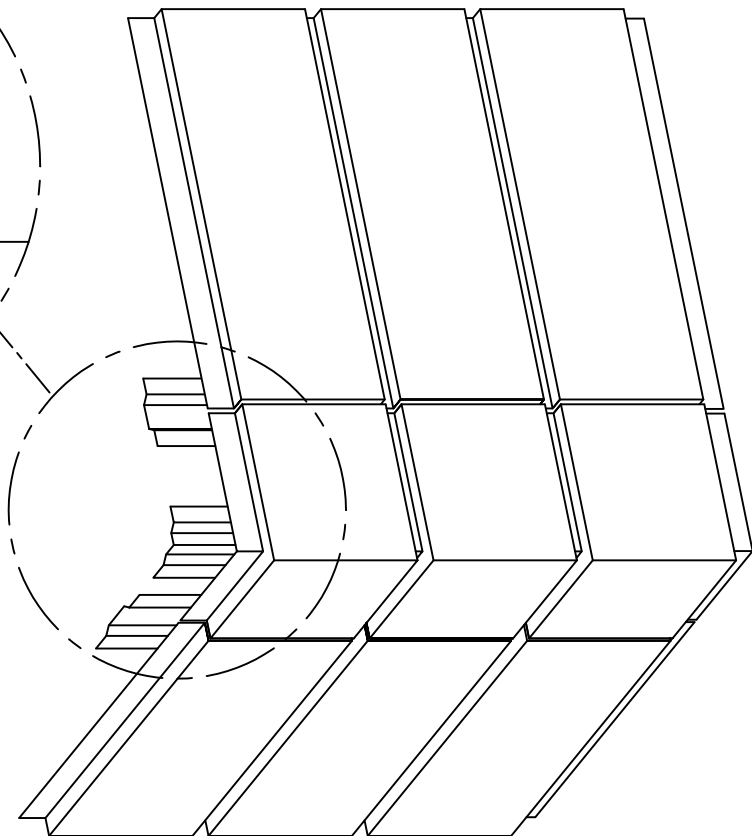
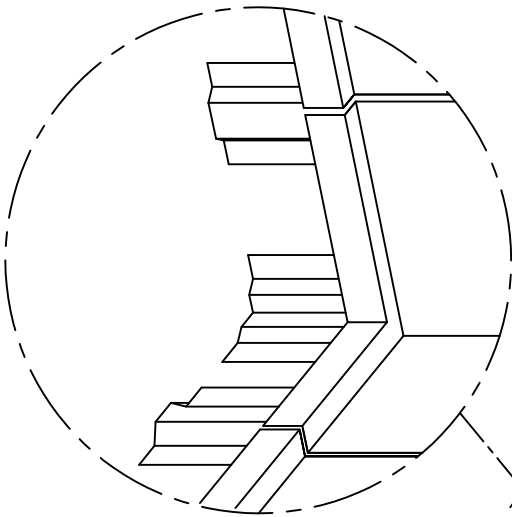


Height
equals
adjacent
panel



FOR ILLUSTRATION ONLY

All technical information and suggestions herein are believed to be reliable and accurate, nothing stated herein is to be taken as a warranty. Responsibility for review and validation remains solely with the design authority or other authority having jurisdiction.

Description: Interlocking Panel
Outer Corner Miter Joint Isometric

Scale: 6" = 1' - 0"

Drawing number: US-W-H-I-023 Date: 04/28/2020

NedZink B.V.
Hoofdstraat 1
NL 6020 AC Budel
www.nedzink.com

